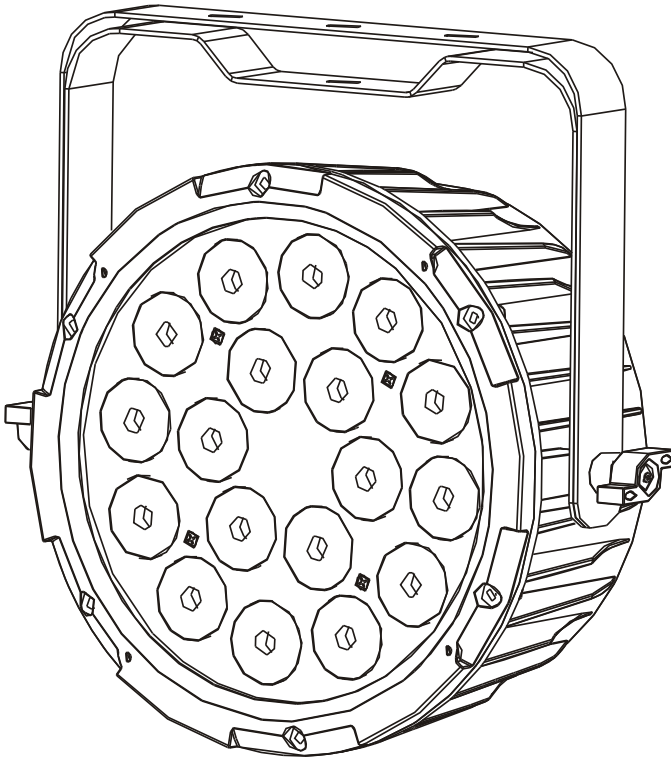


Vulcan

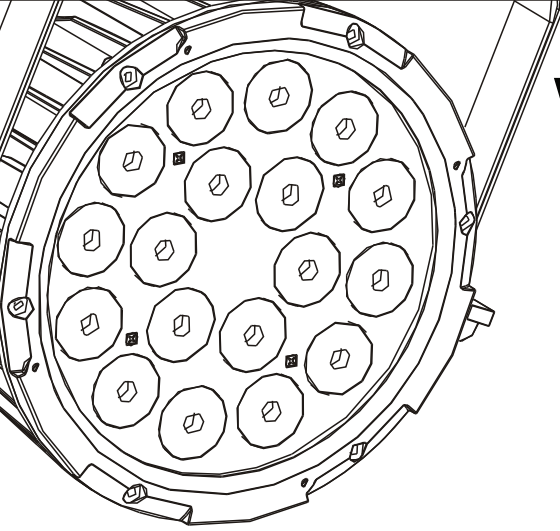
vulcanlighting.co.za

User Manual



KRATOS

Please read the instructions carefully before use



Vulcan
vulcanlighting.co.za

KRATOS

The Vulcan Kratos is a Versatile Multi-color LED Par Luminaire utilizing 18 x 18W RGBAW+UV LEDs.

It is equipped with 3 & 5 Pin XLR's for use with DMX-512 and also features Powercon in & through connectors.

1. Safety Introductions



WARNING

Please read the instructions carefully which includes important information about the installation, operation and maintenance.

- Please keep this User Guide for future consultation. If you sell the unit to another user, be sure that they also receive this instruction booklet.
- All fixtures are intact from the manufacturer, please operate follow up the user manual, artificial fault are not under guarantee repair.
- Unpack and check carefully that there is no transportation damage before using the unit.
- The unit is for indoor use only. Use only in a dry location.
- Do install and operate by operator.
- Use safety chain when fixes the unit. Don't handle the unit by taking its head only, but always by taking its base.
- The unit must be installed in a location with adequate ventilation, at least 50cm from adjacent surfaces.
- Be sure that no ventilation slots are blocked, otherwise the unit will be overheated.
- Before operating, ensure that the voltage and frequency of power supply match the power requirements of the unit.
- It's important to ground the yellow/green conductor to earth in order to avoid electric shock.
- Maximum ambient temperature TA : 40°C. Don't operate it where the temperature is higher than this.
- Don't connect the device to any dimmer pack.
- First run, there will be smoke or smells, and all disappearing a few minutes later.
- Make sure there are no flammable materials close to the unit while operating, as it is fire hazard.
- Look over power wires carefully, replace immediately if there is any damage.
- Never run on for a long time lest shortening lifespan.
Avoid any inflammable liquids, water or metal objects entering the unit.
- Once it happen, cut off the mains power immediately.
- Do not operate in dirty and dusty environment, also cleaning fixtures regularly.

- Do not allow children to operate the fixture.
- Do not touch any wire during operation as there might be a hazard of electric shock.
- Avoid power wires together around other cables.
- Disconnect mains power before fuse/lamp replacement or servicing.
- Replace fuse only with the same type.
- In the event of serious operating problem, stop using the unit immediately.
- Never turn on and off the unit time after time.
- The housing, the lenses, or the ultraviolet filter must be replaced if they are visibly damaged.
- Do not open the unit as there are no user serviceable parts inside.
- Never try to repair the unit by yourself. Repairs carried out by unskilled people can lead to damage or malfunction. Please contact the nearest authorized technical assistance center.
- Disconnect the mains power if the fixture is not used for a long time.
- Do use original packing materials once transport it again.
- Do not look directly at the LED light beam while the fixture is on.

For power supply, do not connect in series much more than 7 units, use another mains supply for next 7 units.

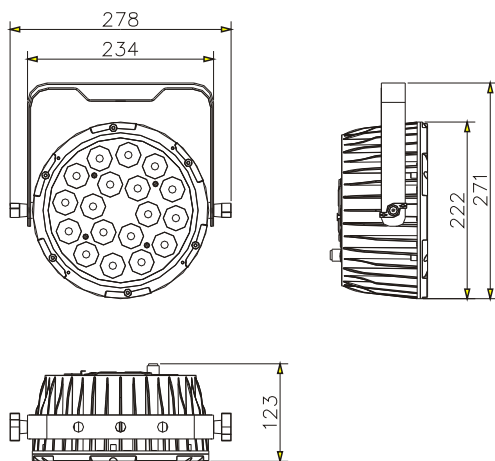
Installation

The unit should be mounted via its screw holes on the bracket. Always ensure that the unit is firmly fixed to avoid vibration and slipping while operating. Always ensure that the structure to which you are attaching the unit is secure and is able to support a weight of 10 times of the unit's weight. Also always use a safety cable that can hold 12 times of the weight of the unit when installing the fixture.

The equipment must be fixed by professionals. And it must be fixed at a place where is out of the touch of people and has no one pass by or under it.

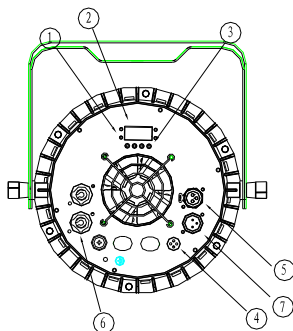
Technical Specifications

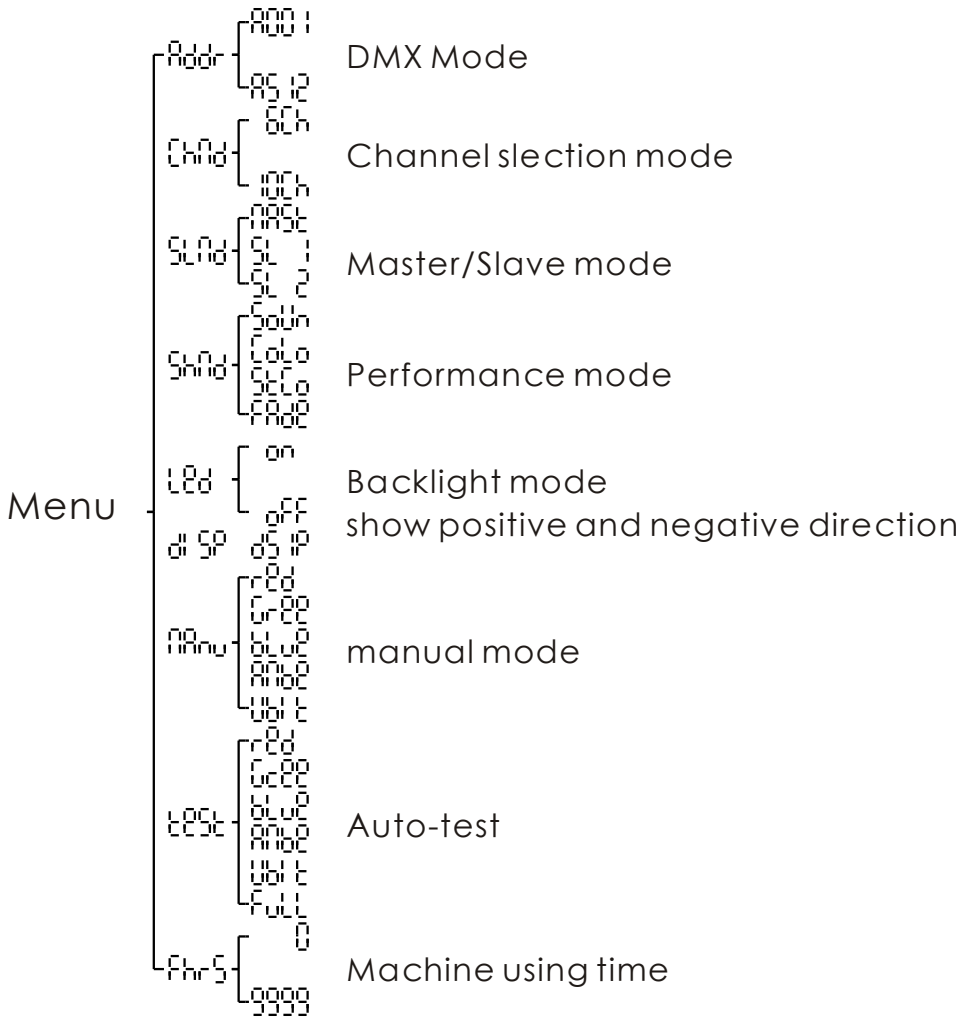
- three kinds of operation mode: DMX Master & Slave.
sound control
- POWER CONSUMPTION:350W
- DMX Channel mode: 6/10CH
- The built-in program control light in the master and slave mode by voice control.
- 0~100% smooth dimming function and effect of each variety of trobe
- suitable for disco, bar, mobile DJ etc.
- Voltage: AC 100~240V, 50/60Hz
- LEDs:LEDs:18PCS*18W(6 in 1)
- Net weight: 2.5kgs
- Measure: 278*271*123mm



How to Set the Fixture

- 1.The indicating light
- 2.Function display: display menu and the selected function
- 3.Menu button
- 4.Microphone
- 5.DMX signal output
- 6.Power supply socket
- 7.DMX signal input





DMX Mode

Select the Addr menu, press the ENTER key to confirm. Then use the initial address code DOWN/UP button to set this light (A001 ~ A512). Once you have set your initial address code, press ENTER to define and save. Not to make any changes, wait a minute to automatically exit the menu and save. The main menu, please press the MENU button

Channel selection model

Select the Chnd menu, press the ENTER key to determine. To use the DOWN/UP button to channel mode: 6Ch (6 Channel).10Ch (10 Channels) mode. Select the desired channel mode, press ENTER to determine and save. Not to make any changes, wait a minute to automatically exit the menu and save. The main menu, please press the MENU button

Master/Slave mode

Select the SLnd menu, press the ENTER key to confirm. To use the DOWN/UP key set of Master-Slave mode need: NAST(master.SL 1 (Slave 1).SL 2(Slave 2).SL 3(Slave 3).SL 4(Slave 4). Select the desired mode, press ENTER to determine and save. Not to make any changes, wait a minute to automatically exit the menu and save. The main menu, please press the MENU button

Performance mode

Select the Shnd menu,press the ENTER key to determine.To use DOWN/UP button to performace mode:FADE(Gradient),SOUN(Sound),.Auto(Automatic),COLOR(Color) mode,Select the desired mode,press ENTER to determine and save.Not to make any changes,wait a minute to automatically exit the menu and save.The main menu, please press the MENU Button FADE(Gradient)SP 1-SP 8 8 fades speed selection.use DOWN/UP button to select the gradient speed required.according to ENTER,determine and save.Not to make any changes,wait a minute and automatically exit the MENU and save.The main menu,plase press the MENUbutton Color(Color)CO 1-CO 16 16 program mode,And also press Stro(Strobe) have 0-255 to adjust the speed,use the DOWN/UP button to select the desired mode.Press ENTER to determine and ave. NOT to make any changes,wait a minute to automatically exit the menu and save.

Backlight mode

Select the LED menu, press the ENTER key to determine. Then use the DOWN/UP button to set the backlight mode: ON (Open). OFF (Close). Select the desired mode, press ENTER to determine and save. Not to make any changes, wait a minute to automatically exit the menu and save. The main menu, please press the MENU button

White Balance

Select the BALA menu, Press the ENTER key to determine. To use the DOWN/UP to display mode: Red (Red), Gree (Green, Blue (Blue), select the desired mode, Press ENTER to determine and save. Not to make any changes, Wait a moment to automatically exit the menu and save. The main menu, Please press the MENU button Red (Red) with 125-255 using the DOWN/UP button to brightness. Press ENTER to define and save. Not to make any changes, wait a minute to automatically exit the menu and save. The main menu, Please press the MENU button Gree (Green) with 125-255 using the DOWN/UP button to brightness. Press ENTER to define and save. Not to make any changes, wait a minute to automatically exit the menu and save.

show positive and negative direction

Select the dISP menu, press the ENTER key to determine. To use the DOWN/UP button to display mode: dISP (positive). DSIP (reverse). Select the desired mode, press ENTER to determine and save. Not to make any changes, wait a minute to automatically exit the menu and save. The main menu, please press the MENU button

Auto-test

Select the Test menu, press the ENTER key to determine. The machine will start automatically detect color. Not to make any changes, wait a minute to automatically exit the menu and save. The main menu, please press the MENU button

Fhrs

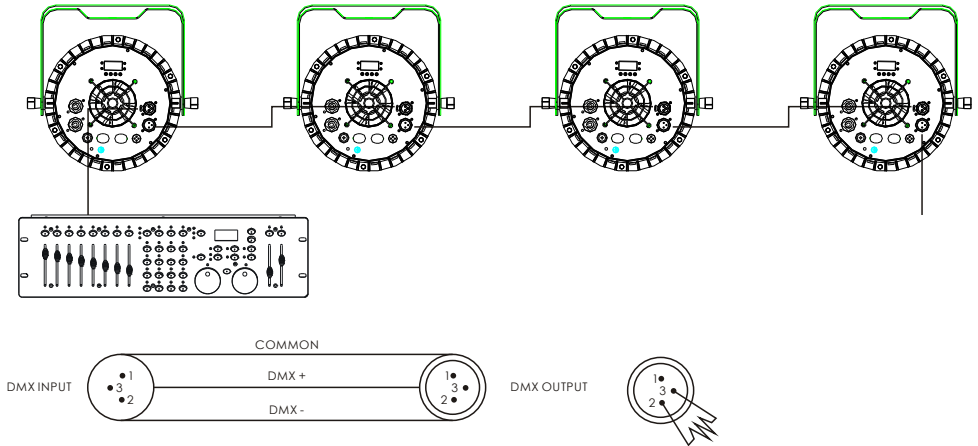
Select the Fhrs menu, press the ENTER key to determine. You can see the use of machine time / h. Not to make any changes, wait a minute to automatically exit the menu and save. The main menu, please press the MENU button

temperature

Select the Tenp menu, press the ENTER key to determine. You can see the machine light board temperature / degree. Not to make any changes, wait a minute to automatically exit the menu and save. The main menu, please press the MENU button

DMX512 Connections

The DMX512 is widely used in intelligent lighting control, with a maximum of 512 channels.



Termination reduces signal errors and avoids signal transmission problems and interference. It is always advisable to connect a DMX terminal. (Resistance 120 ohm 1/4W) between pin2(DMX-) and pin3(DMX+) of the last fixture.

6CH Channel mode

1 CH	2 CH	3 CH	4 CH	5 CH	6 CH
Red	Green	Blue	White	UV	Anbe

10CH Channel mode

1 CH	2 CH	3 CH	4 CH	5 CH	6 CH	7 CH	8 CH	9 CH	10 CH
Red	Green	Blue	White	UV	Anbe	Dimmer	Strobe	color walking	Sound control
							 0-7 No function 8-99 Strobe (from slow to fast) 100-149 Strobe (from fast to slow) 150-199 Strobe effect 1 200-245 Strobe effect 2 246-255 Strobe, the fastest strobe effect	 0-7 No function 8-199 color auto 200-255 Sound control	 0-7 No function 8-199 color auto 200-255 Sound control

Fixture Cleaning

The cleaning of internal must be carried out periodically to optimize light output. Cleaning frequency depends on the environment in which the fixture operates: damp, smoky or particularly dirty surrounding can cause greater accumulation of dirt on the fixture's optics.

- Clean with soft cloth using normal glass cleaning fluid.
- Always dry the parts carefully.
- Clean the external optics at least every 20 days. Clean the internal optics at least every 30/60 days.

